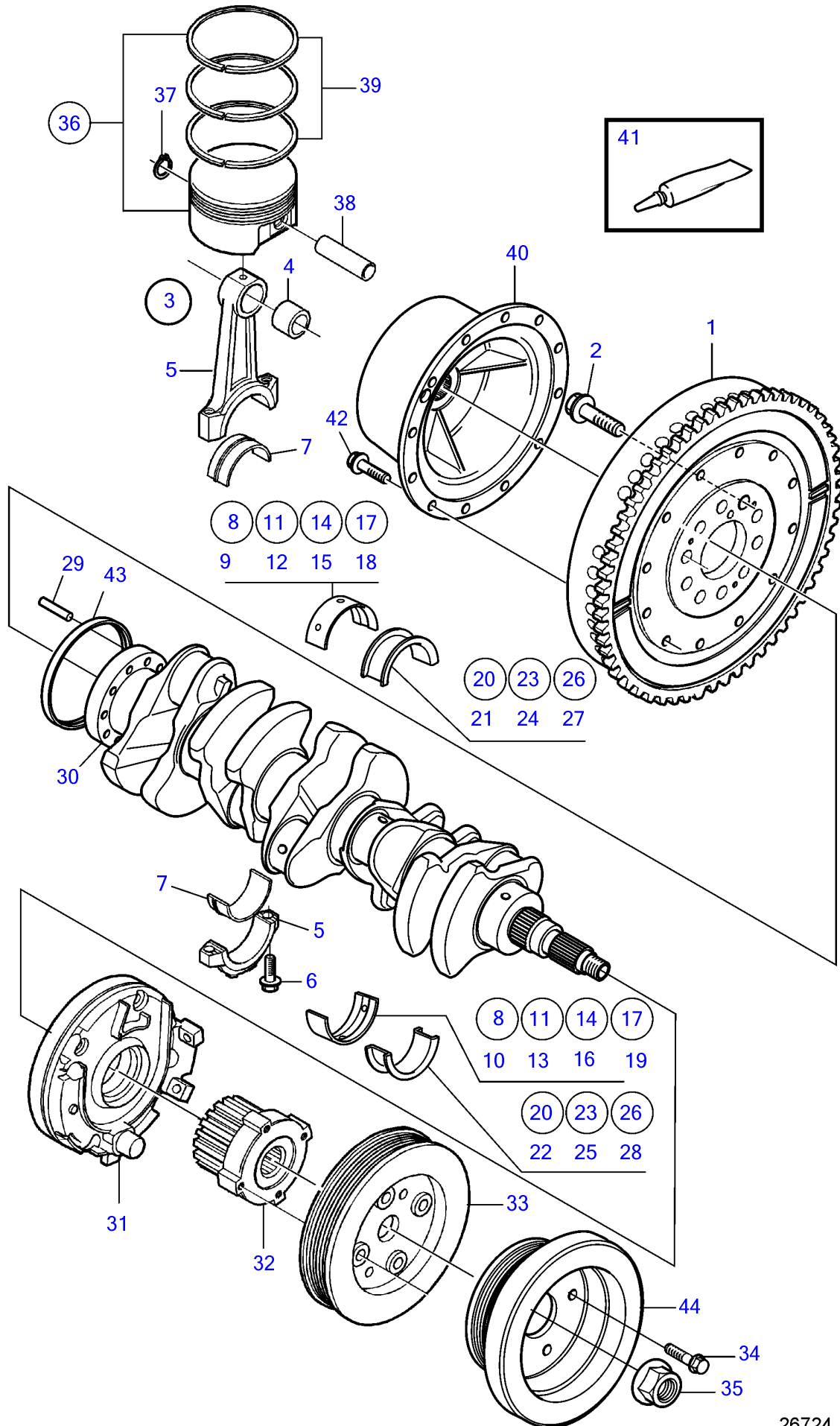


D3-140A-F, D3-170A-F, D3-200A-F, D3-220A-F



## D3-140A-F, D3-170A-F, D3-200A-F, D3-220A-F

REF	PART NO.	QTY	DESCRIPTION	SEE SEC.	NOTES
1	21517500	1	Flywheel		
2	9454743	10	Screw		
3	31258013	5	Connecting rod		
4		1	• Bushing		
5		1	• Connecting rod		
6	9497858	2	• Screw		
7	31251996	1	Big-end bearing kit		
8	31251378	5	Main bearing		Without flange, red, See Workshop Manual
9	31330321	5	• Main bearing		Red, Without flange, upper, See workshop Manual
10	30777951	5	• Main bearing		Red, Without flange, lower, See workshop Manual
11	31251379	5	Main bearing		Without flange, yellow, See Workshop Manual
12	31330322	5	• Main bearing		Yellow, Without flange, upper, See workshop Manual
13	30777952	5	• Main bearing		Yellow, Without flange, lower, See workshop Manual
14	31251380	5	Main bearing		Without flange, blue, See Workshop Manual
15	31330323	5	• Main bearing		Blue, Without flange, upper, See workshop Manual
16	30777953	5	• Main bearing		Blue, Without flange, lower, See workshop Manual
17	31251381	5	Main bearing		Without flange green, See Workshop Manual
18	31330324	5	• Main bearing		Green, Without flange, upper, See workshop Manual
19	30777954	5	• Main bearing		Green, Without flange, lower, See workshop Manual
20	31339144	1	Thrust bearing		With flange, red, See Workshop Manual
21	31316541	1	• Flange bearing		Red, With flange, upper, See workshop Manual
22	31316551	1	• Flange bearing		Red, With flange, lower, See workshop Manual
23	31339145	1	Thrust bearing		With flange, yellow, See Workshop Manual
24	31316542	1	• Flange bearing		Yellow, With flange, upper, See workshop Manual
25	31316552	1	• Flange bearing		Yellow, With flange, lower, See workshop Manual
26	31339146	1	Thrust bearing		With flange, blue, See Workshop Manual
27	31316543	1	• Flange bearing		Blue, With flange, upper, See workshop Manual
28	31316553	1	• Flange bearing		Blue, With flange, lower, See workshop Manual
29	973660	1	Spring pin		
30	31293424	1	Crankshaft		
31	30777092	1	Oil pump	36888	
32	30777171	1	Pulley		
33	31258122	1	Oscillation damper		
34	984755	4	Flange screw		
35	3531111	1	Nut		
36	21714074	1	Piston kit		
37	(30777225)	1	• Lock ring		Obsolete part
38		1	• Piston pin		
39	30750678	1	• Piston ring kit		
40	21373176	1	Flexible coupling		
41	828250	1	Lubricating grease		
			• Bulletin P-18-4-6	P-18-4-6-EN	Water resistant grease for grease gun
42	946671	6	Flange screw		
43	9458178	1	Sealing ring		
44	21255747	1	Vibration damper		